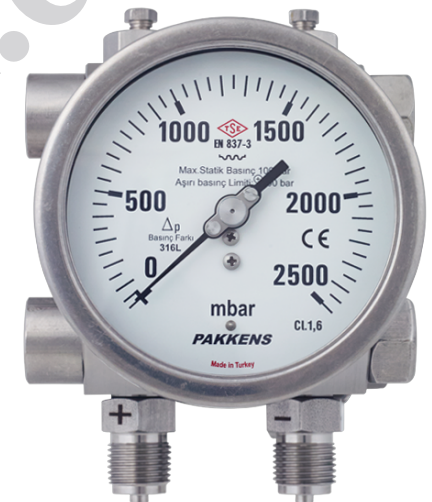


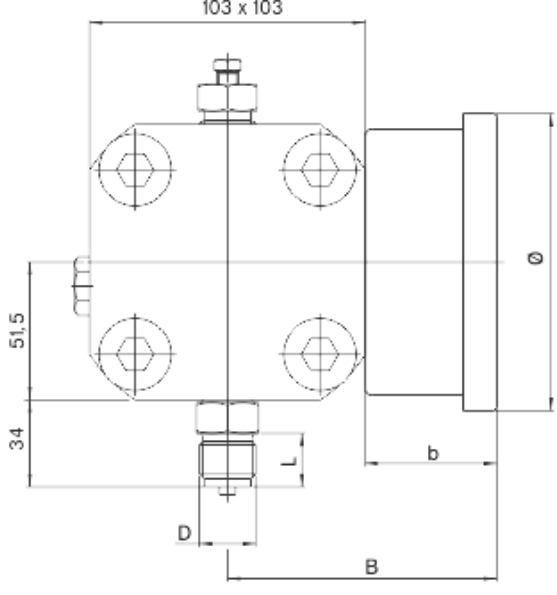
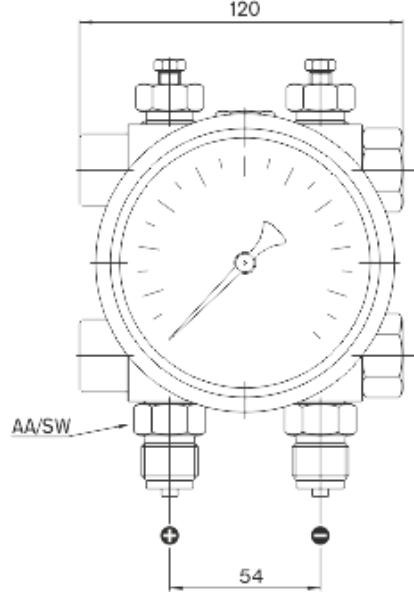
Pressure Gauges / Differential Pressure Gauges / DG-CL 1,6 / CL 1,0 / DG100/0597
CONSTRUCTIVE PROPERTIES


	STANDARD	OPTIONAL
Mounting Type	Bottom Connection	-
Scale Unit	bar	psi
Scale Range (PN)	0/1 0/1,6 0/2,5 0/4 0/6 0/10 0/16 0/25 0/0,6	
Case	Stainless Steel AISI-304	-
Bezel	Stainless Steel AISI-304	-
Window	Safety Glass	-
Movement	Stainless Steel AISI-304	-
Dial	Aluminum	-
Pointer	Aluminum	-
Welding	Special Welding	-
Filling Liquid	-	Silicon Oil Glycerine
Contact Types	-	1NO 1NC 2NONO 2NON C 2NCNC 2NCNO
Differential Block	Stainless Steel AISI-316L	Monel 400 Hastelloy C276
Diaphragm	Stainless Steel AISI-316L	Hastelloy C276 Monel 400
Sealing	Viton	PTFE

USAGE PROPERTIES

Fluid Temperature	Maximum + 150 °C	-
Ambient Temperature	- 20 ... + 60 °C	-
Operating Pressure (max.)	PN ± 250 bar	PN ± 400 bar
Accuracy Class	CL 1,6	-
Protection Rate	IP 55	IP 65
Optimum Operating Range	Between 0,0 x PN and 1,0 x PN	
Storage Temperature	-40 ... +70 °C	-
Conformity	EN 837 - 1	ATEX 94/9/EC

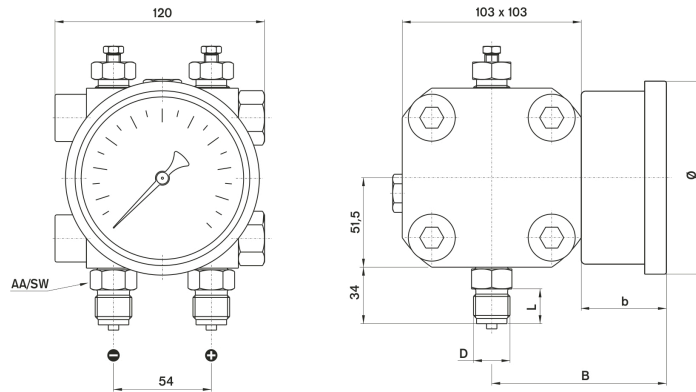

DG100 / 0597 301

DG100 / 0597 201



Ø	D	L	B	b	AA/SW		Model #
100	G 1/2"	20	102,5	51	24	7000	DG100/0597 201
	1/2" NPT	21					DG100/0597 221
160	G 1/2"	20	103,5	52	24	7000	DG160/0597 202
	1/2" NPT	21					DG160/0597 222

www.Laheghi.com

Pressure Gauges / Differential Pressure Gauges / DG-CL 1,6 / CL 1,0 / DG100/0597



Model No: DG100/0597

Bottom Connection

Ø	D	L	B	b	AA/SW	gr	Model #
100	G 1/2"	20	102,5	51	24	7000	DG100/0597 201
	1/2" NPT	21					DG100/0597 221
160	G 1/2"	20	103,5	52	24	7000	DG160/0597 202
	1/2" NPT	21					DG160/0597 222

Model No: